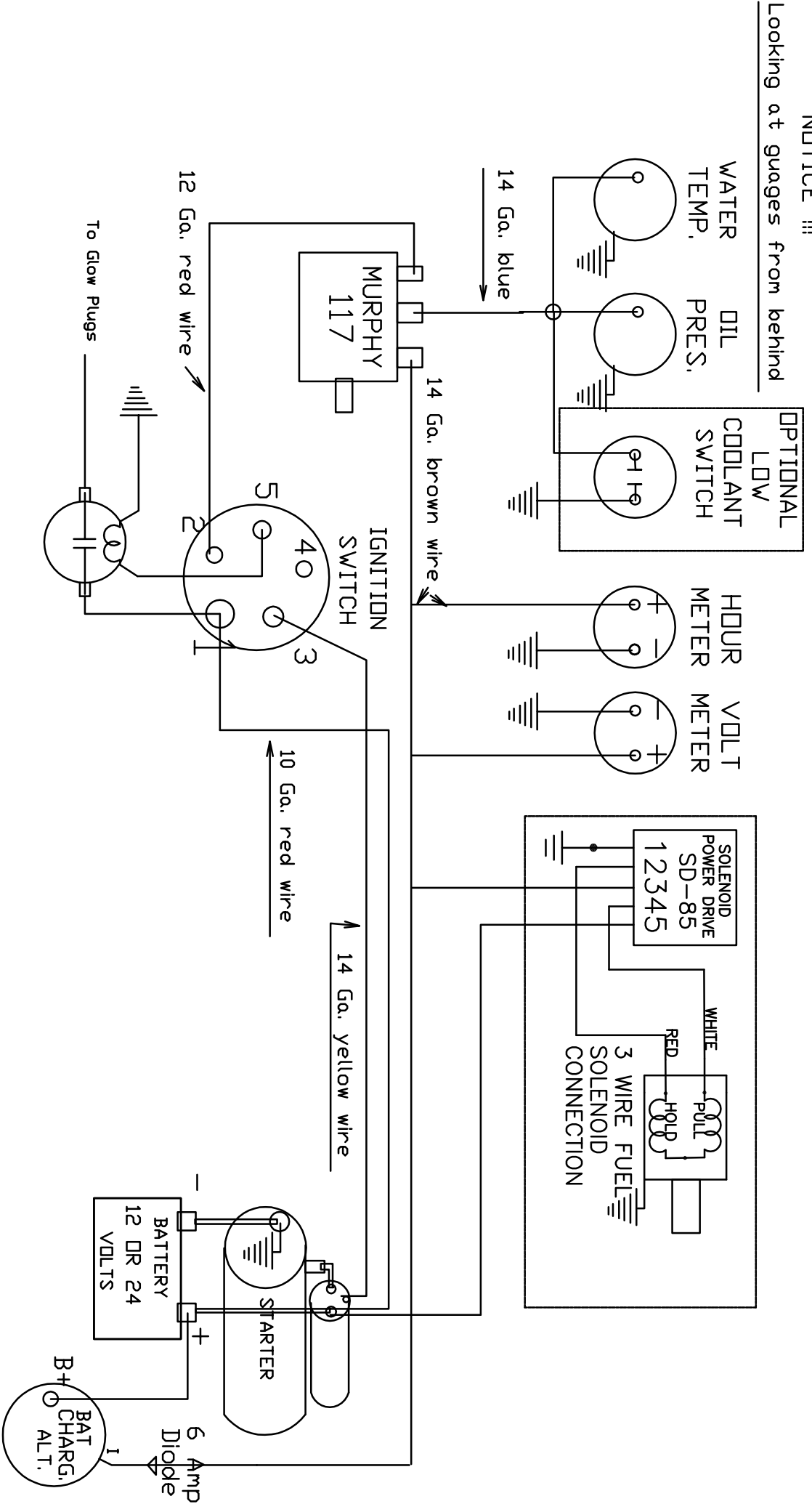


NOTICE !!!

Looking at gauges from behind



1D008K4 Kabota (Murphy system)